



THE PRO-TECH BUCKET CLAMP

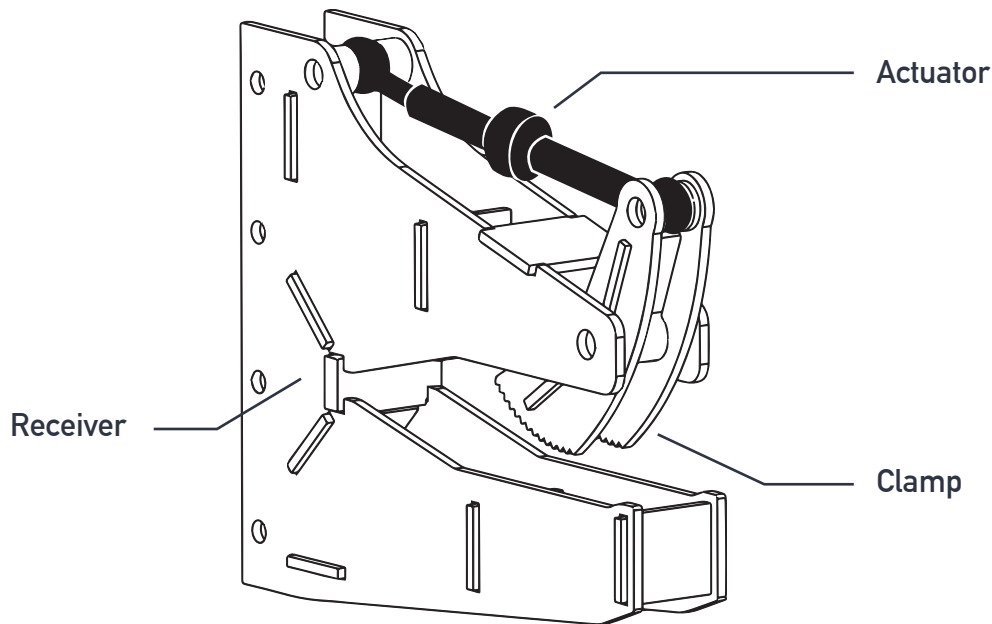
SAY GOODBYE TO CHAINS AND BINDERS

- Eliminates chains, shackles, and loose ratchet binders
- Significantly decreases average connection time
- Allows for maximum control of the Sno Pusher

Pro-Tech introduces the Bucket Clamp, a new custom connection option for Sno Pushers. The Bucket Clamp eliminates chains, shackles, and loose ratchet binders that can be difficult to maintain and also significantly decreases the average connection time.

In addition the Bucket Clamp gives operators a new level of control when clearing snow.





Reduce Costs

Standard chains, shackles, and loose ratchet binders that are required to connect a post-style containment plow can break, be misplaced, or even stolen while on site. The Bucket Clamp eliminates the cost of purchasing, maintaining, and replacing these kits.

Quicker Connection

The ratchet system built into the Bucket Clamp can significantly decrease the time it typically takes to connect to a prime mover. Customers simply ratchet down The Clamp's jaws to the bucket. Over the course of a season these features could result in considerable savings and increased efficiency.

Precision Pushing

The Bucket Clamp eliminates the movement or "slippage" of the Sno Pusher against the bucket that can sometimes occur when chain and binder kits begin to weaken or become loose. This secure connection allows the operator to have more control and a better "feel" for the Sno Pusher during operation. And can also reduce unnecessary wear to the prime mover.



For pricing, dealer information, and to see the connection in action visit: www.bucketclamp.com or call (888) 787.4766