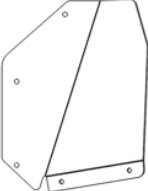
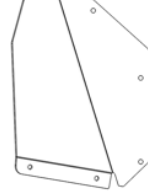











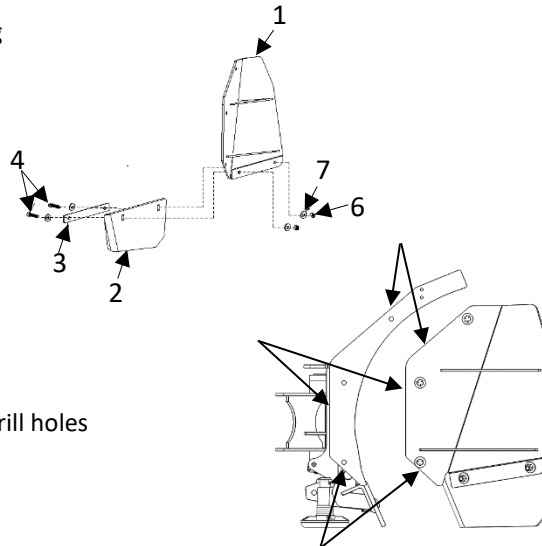
Pro-Tech Sno-Blade Wing Installation Instructions

Package Contents:

ITEM #1 Left WING- LEFT QTY: 1 	ITEM #1 Right WING- RIGHT QTY: 1 	ITEM #2 Left RUBBER CURTAIN- LEFT QTY: 1 	ITEM #2 Right RUBBER CURTAIN- RIGHT QTY: 1 	ITEM #3 RUBBER CURTAIN HOLD DOWN QTY: 2 
ITEM #4 GRADE 5 HEX BOLT- 2" LG QTY: 2 	ITEM #5 GRADE 2 HEX BOLT- 1-1/2" LG QTY: 3 	ITEM #6 NYLOCK NUT QTY: 5 	ITEM #7 FLAT WASHER QTY: 10 	

*See diagram on reverse side

- 1) Unbox parts and verify components.
- 2) Assemble rubber wing curtains (#2) to each wing with Grade 5 hardware; (2) #4, (2) #6, (4) #7 for each wing curtain assembly.



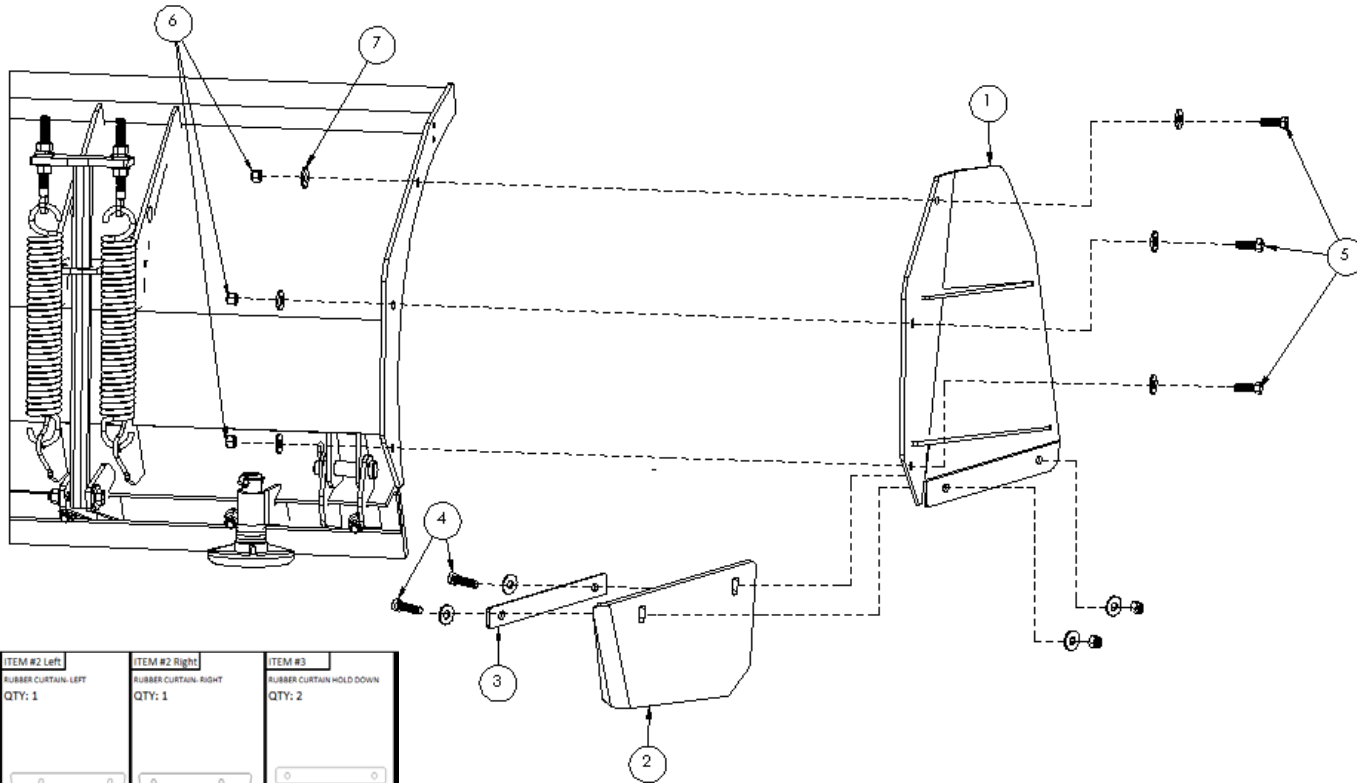
- 3) Align the rear edges as shown.

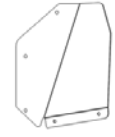
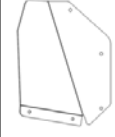
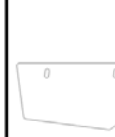
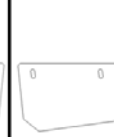



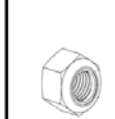
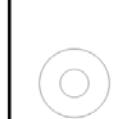
*if no holes are present, use wing to mark and drill holes
 Final hole size is **9/16"**.

- 4) Mount the wing (#1) using the Grade 2 hardware; (3) #5, (3) #6, (6) #7, using the orientation diagram for reference.
- 5) Tighten all hardware to secure components.
- 6) Repeat steps 3-5 with wing for the opposite side.



Pro-Tech Sno-Blade Wing Installation Instructions



ITEM #1 Left WING- LEFT QTY: 1 	ITEM #1 Right WING- RIGHT QTY: 1 	ITEM #2 Left RUBBER CURTAIN- LEFT QTY: 1 	ITEM #2 Right RUBBER CURTAIN- RIGHT QTY: 1 	ITEM #3 RUBBER CURTAIN HOLD DOWN QTY: 2 
ITEM #4 GRADE 6 HEX BOLT- 2" LG QTY: 2 	ITEM #5 GRADE 2 HEX BOLT- 1-1/2" LG QTY: 3 	ITEM #6 W/LOCK NUT QTY: 5 	ITEM #7 FLAT WASHER QTY: 10 	

For warranty and additional information please visit www.snopusher.com or call 888-787-4766