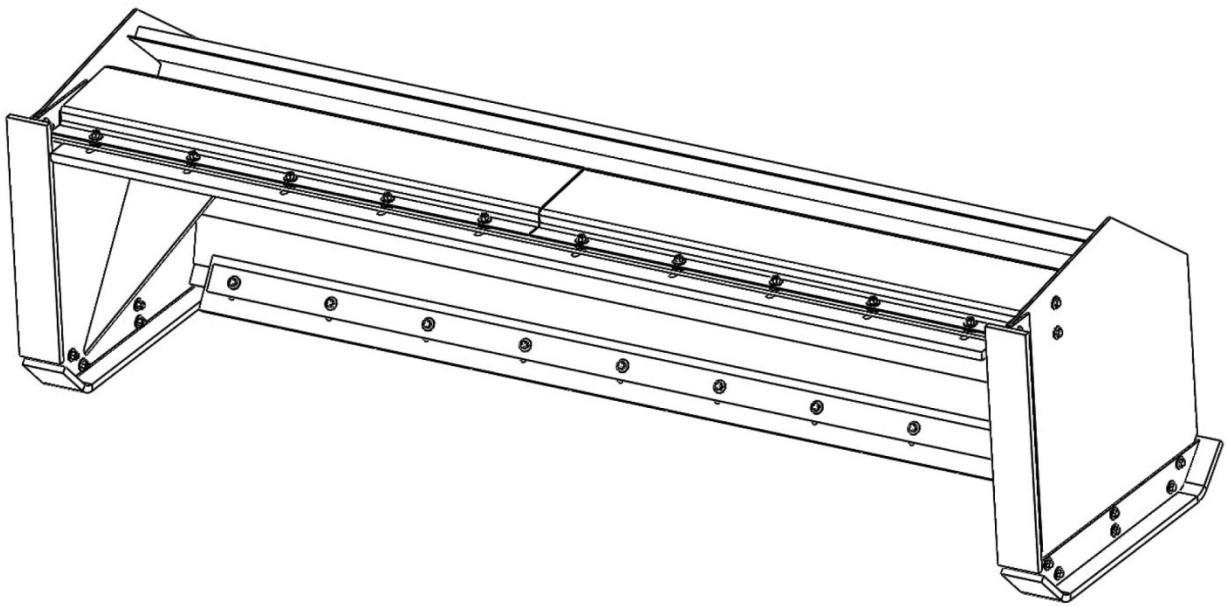


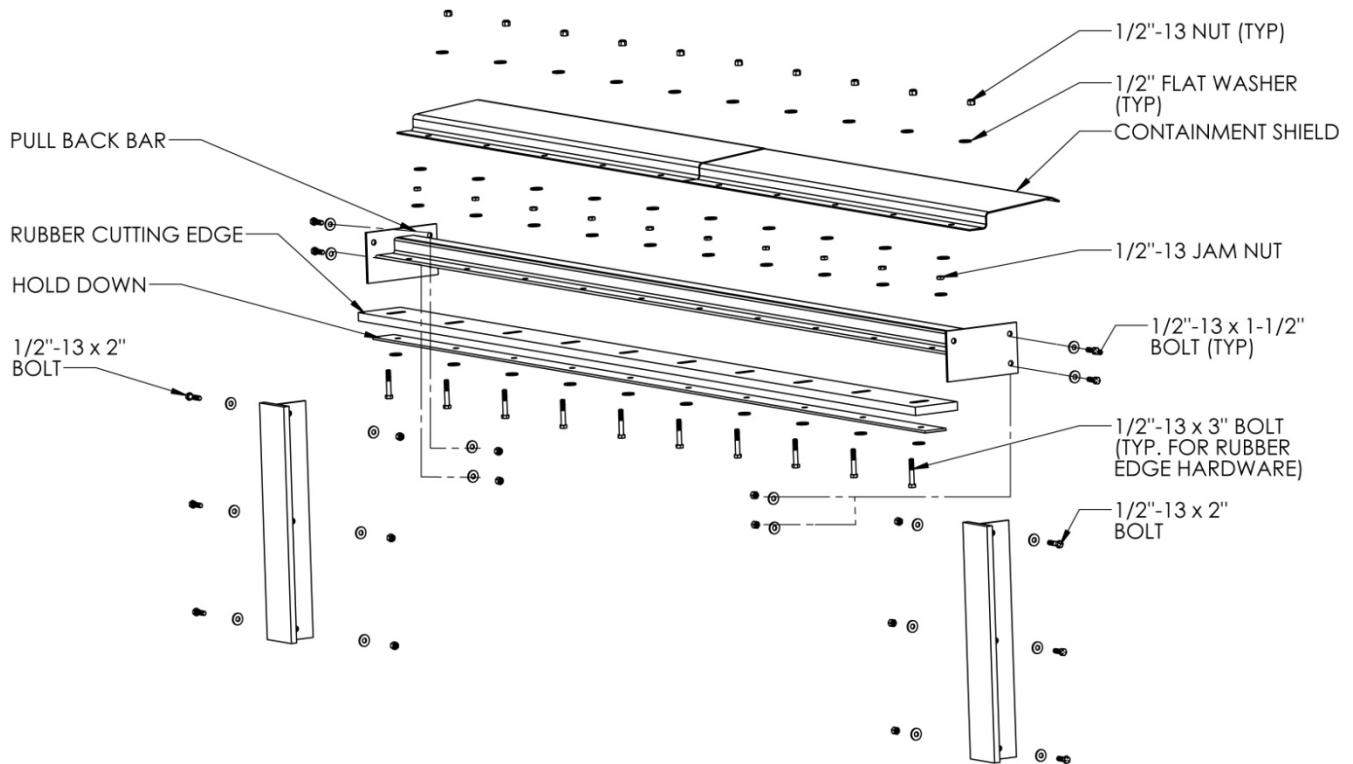


## Pullback Kit Assembly Instructions



# Kit Contents:

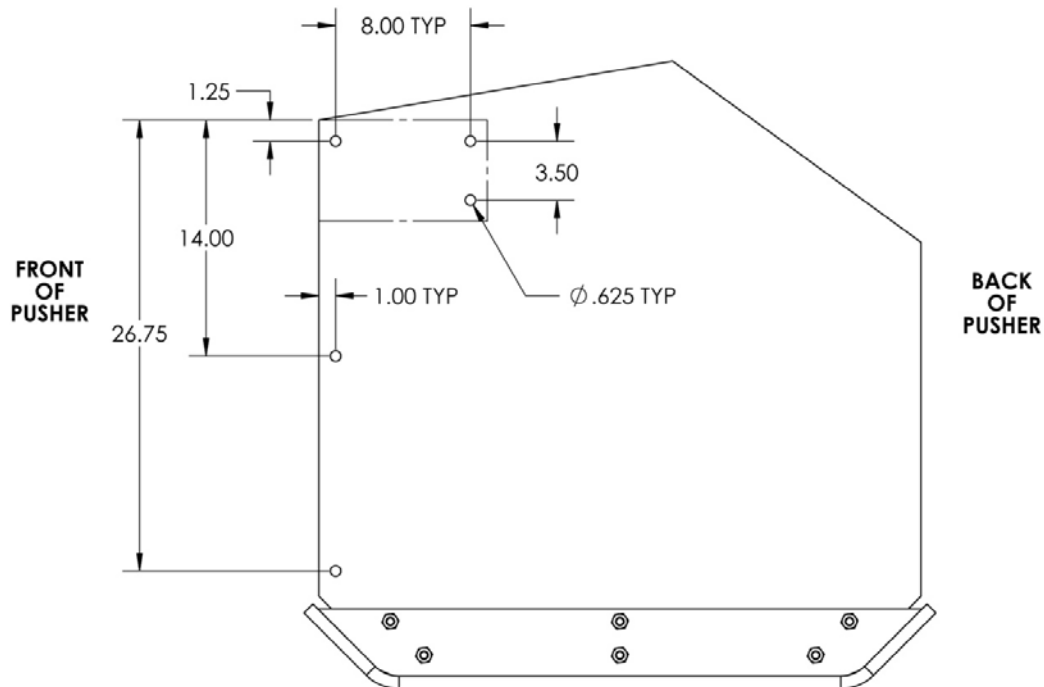
<u>Components</u>	<u>Qty.</u>
Pull Back Mounting Bar	1
Rubber Cutting Edge-Series 2	1
Rubber Hold Down	1
Wear Shoe-Standard-Series 4	2
Containment Shield	2
Wear Shoe Hardware Kit-Series 4	2
Pull Back Hardware Kit	1
Rubber Hardware Kit	1



For additional information please visit [www.snopusher.com](http://www.snopusher.com) or call 888-787-4766

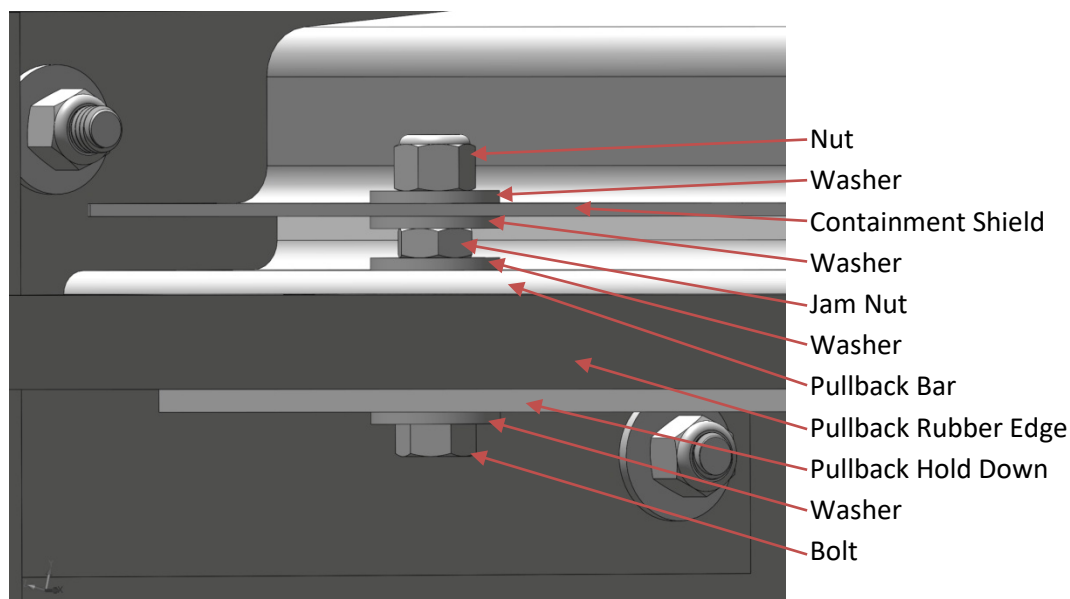
## Assembly Steps:

- 1) Using the supplied template, align with edge, mark, and drill (5) 5/8" holes into both side plates at the indicated locations. If the template is not available, mark and drill sides, as shown, in the following diagram:



- 2) Remove the containment shields from the pullback bar by removing the shipping nuts.
- 3) Begin to mount the pullback bar to the side plates using only the two vertical holes furthest from the front edge with 1-1/2" long bolts.
- 4) Mount the pullback shoes to the front edges of the side plates using the longer 2" bolts at the top hole locations to secure both the pullback bar and shoe. Use 1-1/2" long bolts for the lower holes on each shoe.
- 5) Adjust the rubber so that it extends 1/4" beyond the pullback shoe for proper operation.
- 6) Mount the containment shields to the pullback bar
- 7) Tighten all bolts and align containment shields.

## Assembly Detail



Pro-Tech Manufacturing and Distribution, Inc.

711 West Ave • Rochester, New York 14611

888-787-4766

[www.snopusher.com](http://www.snopusher.com)



EST. 1993